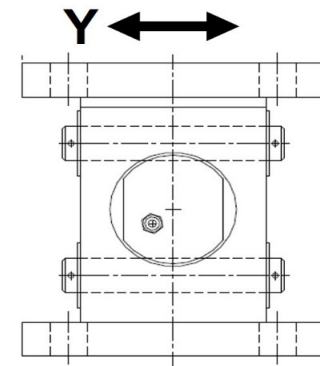
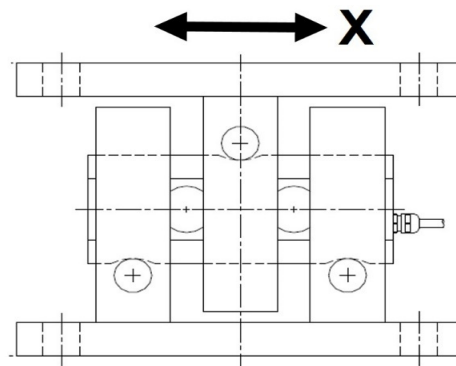
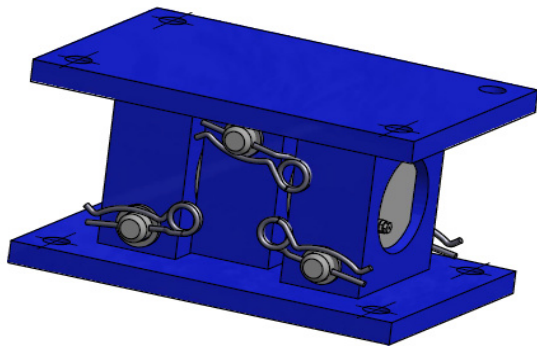


Safemount load cells

Type	Part no.	Capacity	Ultimate compression load	Max. Lateral loading X-direction	Max. Lateral loading Y-direction	Transverse expansion Y-direction	Length	Width	Height
Safemount 5 - 30k	AW313	5 to 30 t	150%	150 kN	45 kN	+/- 5 mm	300 mm	203 mm	130 mm
Safemount 40k	AW313	40 t	60 t	150 kN	45kN	+/- 5 mm	300 mm	203 mm	145 mm
Safemount 50 & 60k	AW309	50 & 60 t	150%	150 kN	100 kN	+/- 4 mm	300 mm	203 mm	220 mm
Safemount 80k	AW318	80 t	120 t	200 kN	120 kN	+/- 6 mm	390 mm	280 mm	240 mm
Safemount 100k	AW309	100 t	150 t	200 kN	210 kN	+/- 11 mm	500 mm	330 mm	280 mm

Table_max_loads_Safemount_Rev5_EN, Date: 23.08.2018



Document subject to change
without prior notice

HENSE
Wägetechnik GmbH