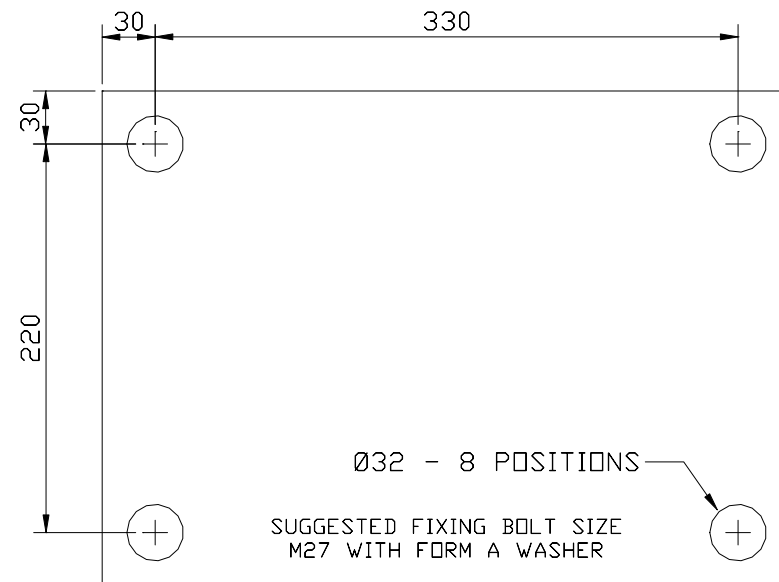
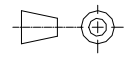
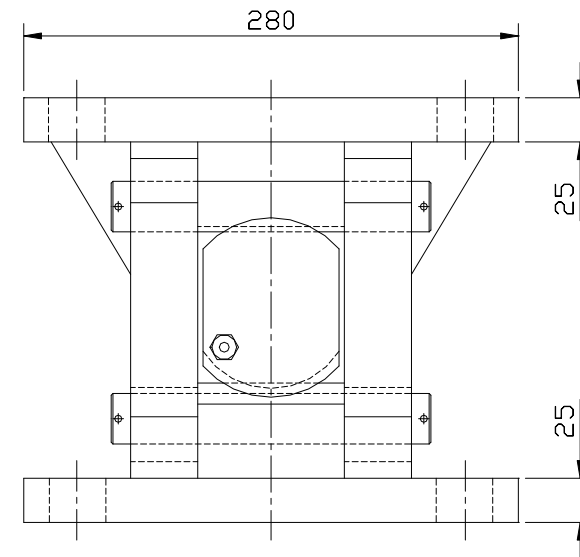
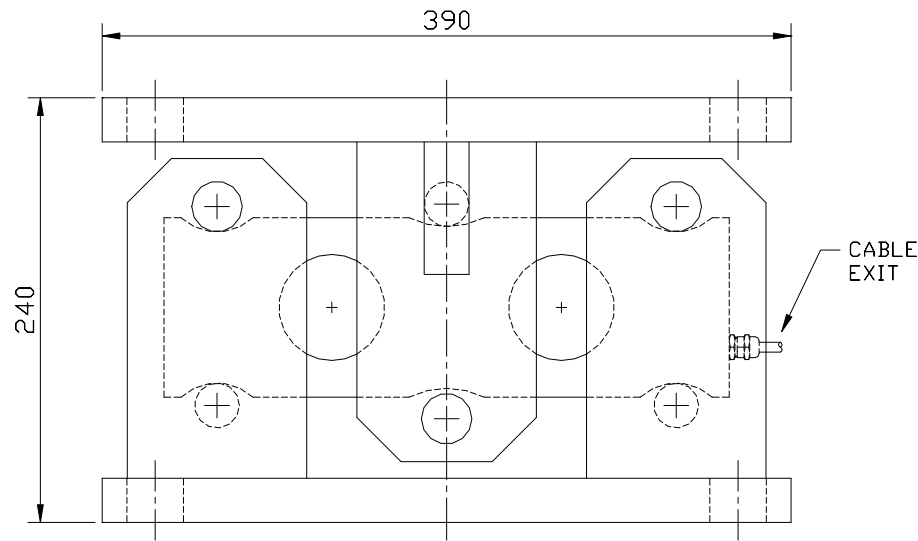


DO NOT SCALE



COMPRISES A FULLY WELDED STAINLESS STEEL LOAD CELL WITH PLASTIC COATED MILD STEEL LOADING ASSEMBLY.

PRODUCT CODE:

AW318/80000 ~ 80,000 kg CAPACITY

CABLE ~ 4 CORE SCREENED 10 METRES STANDARD LENGTH

LOAD CELL COLOUR CODE: RED ~ POSITIVE EXCITATION  
 BLUE ~ NEGATIVE EXCITATION  
 GREEN ~ POSITIVE SIGNAL  
 YELLOW ~ NEGATIVE SIGNAL

SILOS SUBJECT TO WIND LOADING SHOULD BE FITTED WITH LIFT OFF PROTECTION.  
 PLEASE REFER TO INSTRUCTIONS FOR INSTALLATION.

DRG. No. 0L 03456

ISS.	DATE	DCN	NOTE
6	12-01-2018	2614	240 WAS 235
5	30-09-2009	857	SUGGESTED FIXING BOLT NOTE ADDED
4	14-06-2007	451	DIM Ø32 WAS 30mm.
3	23-03-2006	327	SUPPORT WEBS ADDED.
2	08-03-2006	322	HOLE CENTRES 330 WAS 260 mm.
1	03-02-2006		



SCALE	UNITS	TOLERANCE	DRAWN	CHECKED	APP'D
NTS	MM	±0.2 ±1°	IJD		
TITLE SAFEMOUNT II 80 te ASSEMBLY			DRAWING No. 0L 03456		