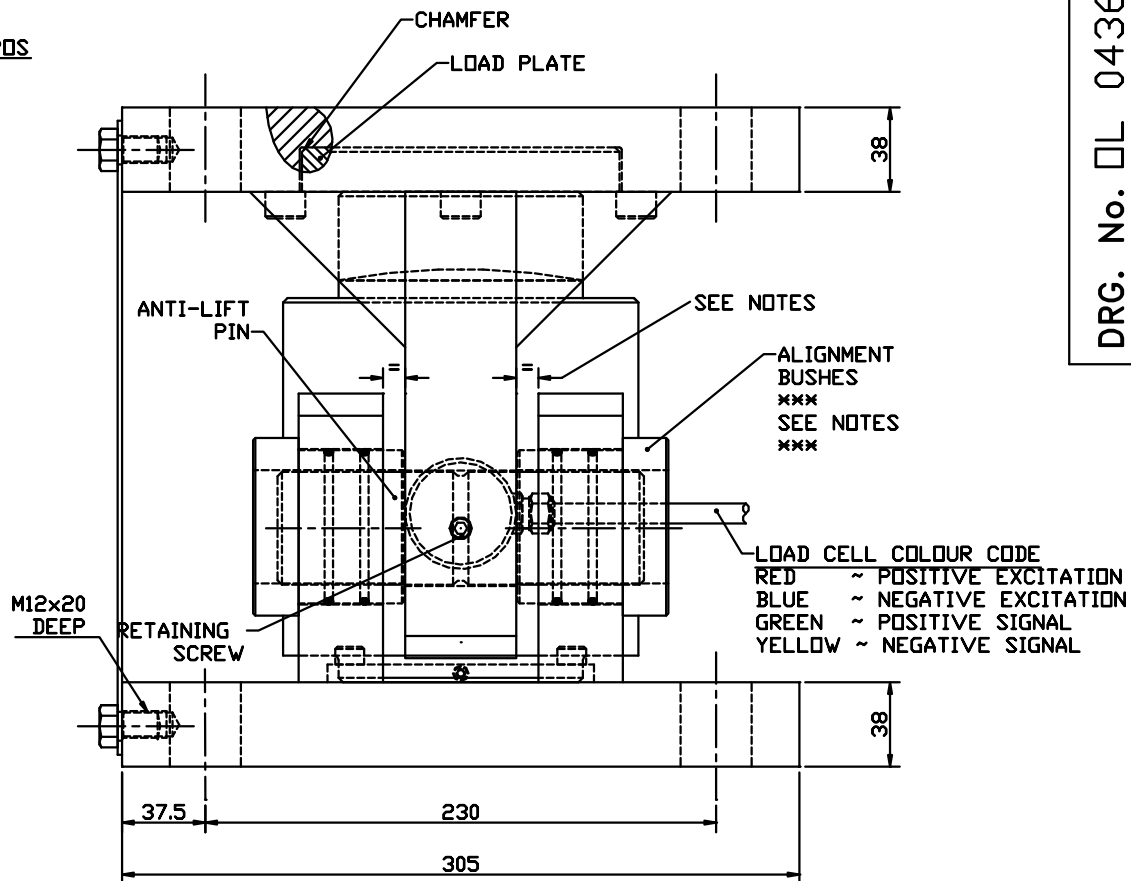
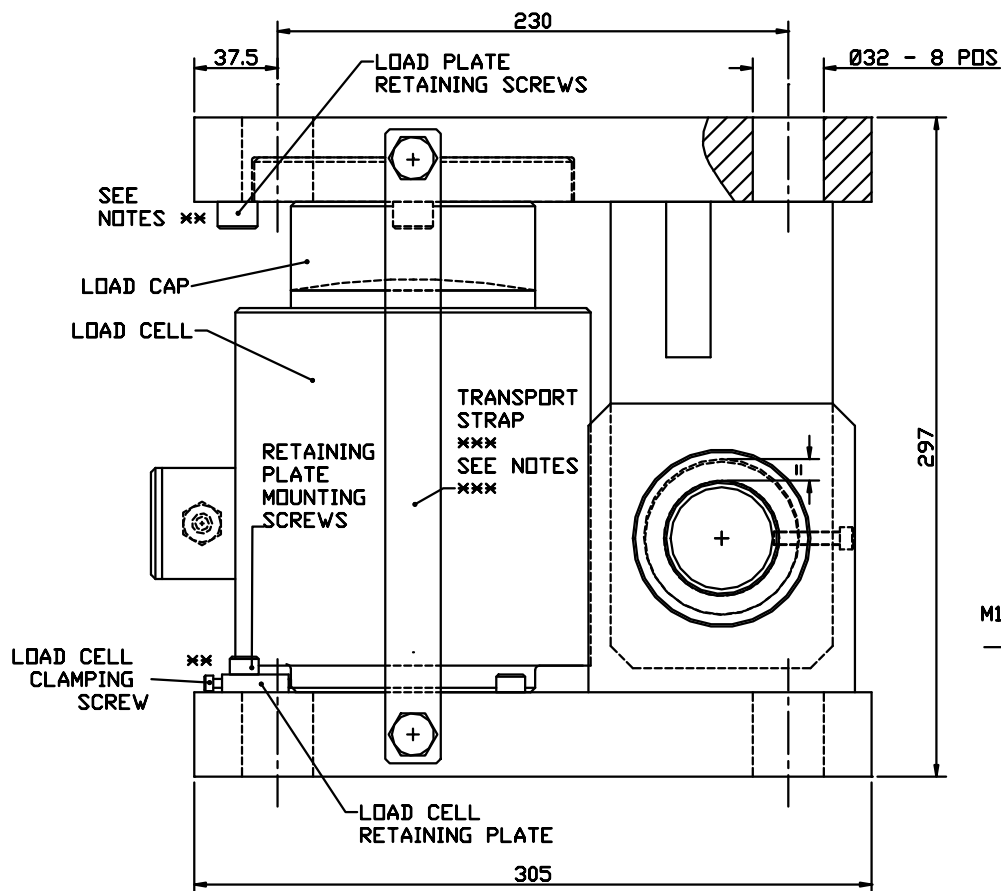
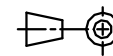


DO NOT SCALE



NOTES:

*** MUST BE REMOVED AFTER INSTALLATION ***

THE M12 THREADS CAN THEN BE USED FOR AN OPTIONAL FLEXIBLE EARTH STRAP

ALL BEARING SURFACES SHOULD BE LUBRICATED
 AFTER INSTALLATION ENSURE GAPS MARKED '=' ARE EQUALISED
 ** TO FACILITATE LOAD CELL REMOVAL/INSTALLATION,
 REMOVE ONE LOAD PLATE RETAINING SCREW AND THE LOAD CELL RETAINING PLATE.
 REPLACE AFTER FITTING THE LOAD CELL AND TIGHTEN THE CLAMPING SCREW
 SILDS SUBJECTED TO HIGH WIND LOADING MAY REQUIRE ADDITIONAL LIFT-OFF PROTECTION

PRODUCT CODES:

AW554/200000 ~ 200.000 kg CAPACITY
 AW554/250000 ~ 250.000 kg CAPACITY
 AW554/350000 ~ 350.000 kg CAPACITY

WEIGHT ~ 96 kg

ISS.	DATE	DCN	NOTE	SCALE	UNITS	TOLERANCE	DRAWN	CHECKED	APP'D
				NTS	MM	±0.5 ±1*	JEMA	IJD	JT
TITLE							DRAWING No.		
2	31-07-2012	1321	TRANSIT & INSTALLATION PARTS SHOWN	AW554 200-350te ASSEMBLY OUTLINE			DL 04361		
1	23-03-2011								

DRG. No. DL 04361