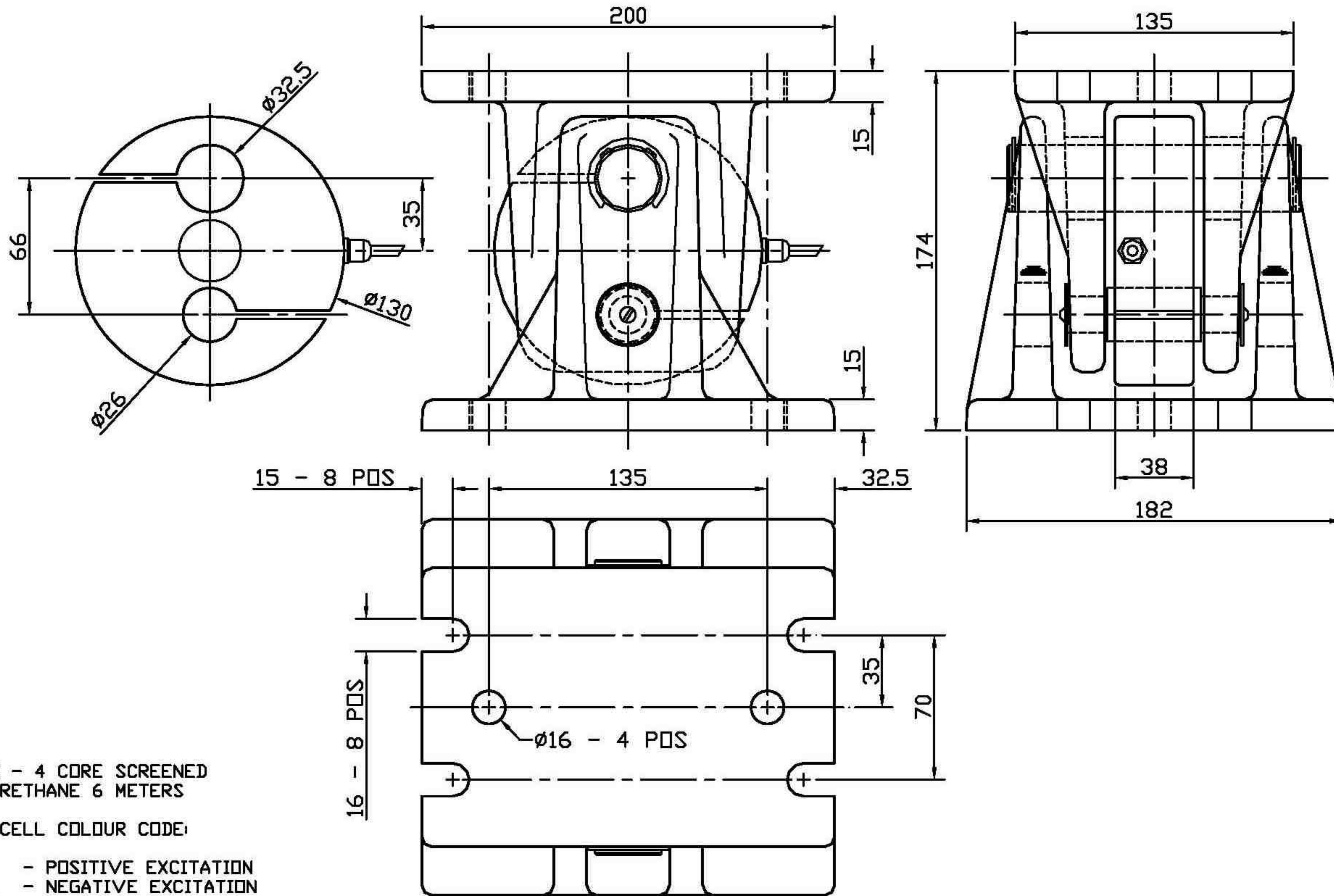
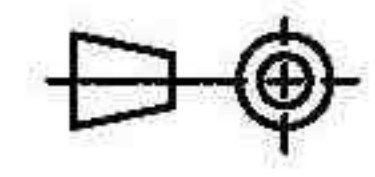


DO NOT SCALE



CABLE - 4 CORE SCREENED
POLYURETHANE 6 METERS

LOAD CELL COLOUR CODE:

- RED - POSITIVE EXCITATION
- BLUE - NEGATIVE EXCITATION
- GREEN - POSITIVE SIGNAL
- YELLOW - NEGATIVE SIGNAL

ISS.	DATE	DCN	NOTE
1	10-09-2002		

Hense Wägetechnik GmbH
Oststraße 18
59920 Brilon

www.hense-waetechnik.de

SCALE	UNITS	TOLERANCE	DRAWN	CHECKED	APP'D
NTS	MM	±0.2 ±1°	JEMA	A. Price	
TITLE TITAN MODEL 95 CELL & ASSEMBLY. 2-10te RANGE			DRAWING No. OL 03064		

DRG. No. **OL 03064**