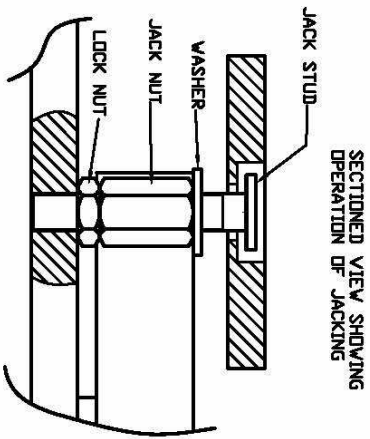
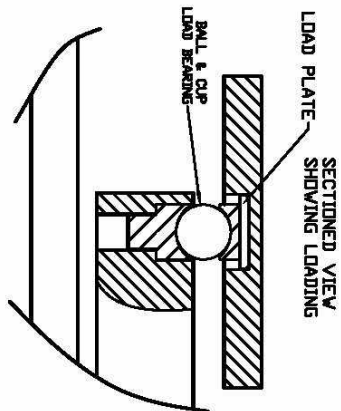
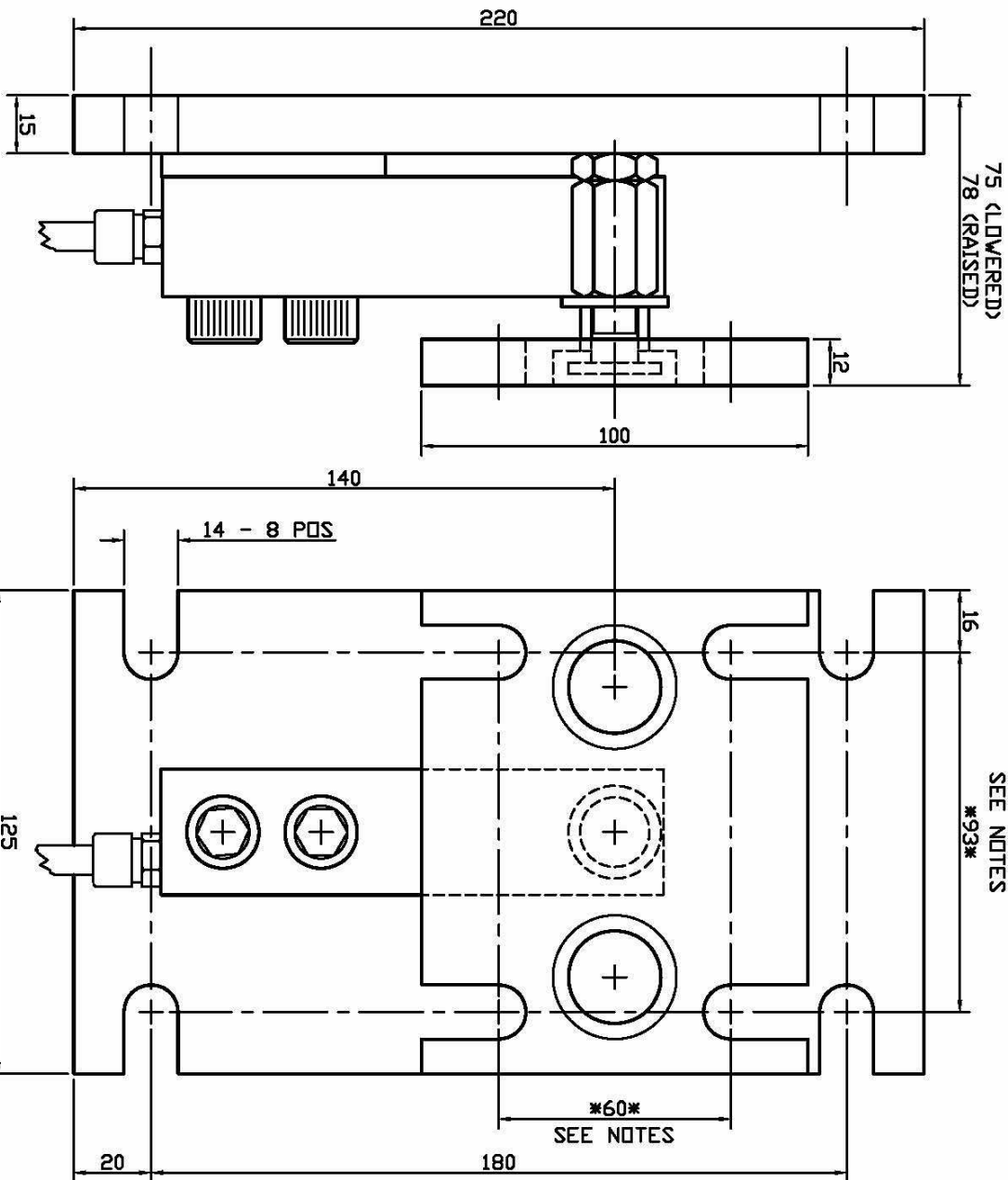


DD NOT SCALE



*NOTES:
 TO ALLOW FOR LATERAL ADJUSTMENT
 USE FIXING DIMENSIONS:
 TDP PLATE - 93 x 70
 BASE PLATE - 103 x 180



75 (LOWERED)
 78 (RAISED)

SEE NOTES
 93

60
 SEE NOTES



DRG. No. DL 02590

ISS.	DATE	DCN	NOTE
3	24-07-2002	174	BALL & CUP
2	26-07-2000	100	NOTE ADDED
1	03-05-2000		

Hense Wägetechnik GmbH
 Oststraße 18
 59929 Brilon
 www.hense-waegetechnik.de

SCALE	UNITS	TOLERANCE	DRAWN	CHECKED	APP'D
NTS	MM	±0.5 ±1°	JEMA		

TITLE CLEANMOUNT II ASSEMBLY
 TD 2500 KG CAP.

DRAWING No. DL 02590