

## Weigh Controller



## Features

- ◆ High precision Weigh Controller with 24 bit resolution.
- ◆ 10-32vdc or 110-240vac power supply models.
- ◆ Display resolution of up to 100,000 divisions.
- ◆ Bright OLED display for easy viewing in all light conditions.
- ◆ 3 volts free relay contact outputs and 2 configurable digital inputs.
- ◆ Sealing to IP66.
- ◆ Real time clock.
- ◆ Capability to monitor and alarm individual load cell faults including out of range, out of balance and cable break faults via the on board CAN BUS interface when used in conjunction with the Intelligent load cell junction box.

## Options

- ◆ USB and RS232 Serial port for printing of time, date and weight.
- ◆ Configurable 4-20mA, 0-20mA, +/-10v, +/-5vdc & 0-10vdc analogue outputs with 16 bit resolution.
- ◆ DIN rail mount or panel mounting (IP65).

## Description

The Status 290S is a high precision Weigh Controller. It offers a choice of batch control and communication interfaces for most industrial weighing applications. The Status 290S is supplied in an IP66 stainless steel glanded enclosure. The simple keypad allows for easy set up, with all settings stored in memory. The Status 290S is supplied as standard with 3 configurable volts free outputs and 2 digital inputs for control.

# Engineering specifications

## Status 290 S weigh controller

### Housing

304 stainless steel, with plastic cable glands to IP66.

### Display

Bright OLED 256 x 64 pixel display.

### Dimensions

See below.

### Supply voltage

10-32vdc or 85-264vac (10W) internally fused.

### Inputs and output

2 x Digital TTL inputs rated at upto 48vdc.

3 x Relay contacts rated upto 240 vac 1A resistive.

On board 24 vdc 80 mA isolated power supply.

RS232 port, baud rate 2400, 4800, 9600, 19200, 38400 and 115200.

### Environmental conditions

Operation:  $-10^{\circ}\text{C}$  to  $+50^{\circ}\text{C}$ , Storage:  $-40^{\circ}\text{C}$  to  $+70^{\circ}\text{C}$ .

### Weight

2.10kg.

### Load Cell Excitation

5vdc @ 300mA up to 8 off  $350\Omega$  or 16 off  $700\Omega$  cells.

or 4 off  $350\Omega$  /  $700\Omega$  with the IT Junction box.

Connection for 4/6 wire with voltage sense, or via the CAN bus / 24vdc when used with IT Junction box.

### Accuracy

$\pm 3\text{ppm}/^{\circ}\text{C}$  ( $-10^{\circ}\text{C}$  to  $+50^{\circ}\text{C}$ )

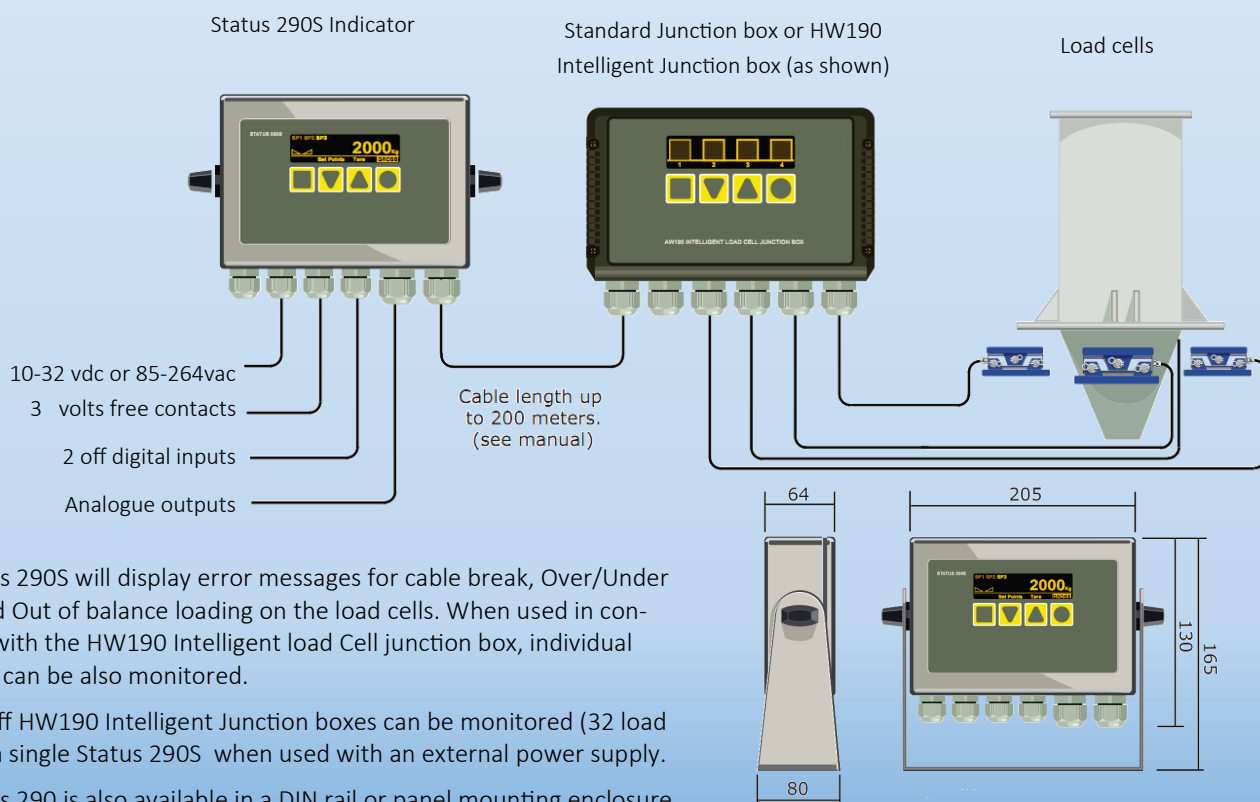
### Optional Analogue output

Configurable 4-20mA, 0-20mA, 0-10vdc, 0-5vdc,  $\pm 10\text{vdc}$

or  $\pm 5\text{vdc}$ . Isolated from the supply, 16 bit resolution, drift  $5\text{ppm}/^{\circ}\text{C}$  ( $-10^{\circ}\text{C}$  to  $+50^{\circ}\text{C}$ )

### Part Numbers

Part Numbers	Description
HW290/S0000	Status 290S Weigh Controller 24 vdc (10-32vdc) supply
HW290/S0001	Status 290S Weigh Controller 110-240vac (85-265vac) supply
HW260/00100	Analogue output card, with RS232, USB and CAN BUS



The Status 290S will display error messages for cable break, Over/Under range and Out of balance loading on the load cells. When used in conjunction with the HW190 Intelligent load Cell junction box, individual load cells can be also monitored.

Up to 8 off HW190 Intelligent Junction boxes can be monitored (32 load cells) by a single Status 290S when used with an external power supply.

The Status 290 is also available in a DIN rail or panel mounting enclosure.