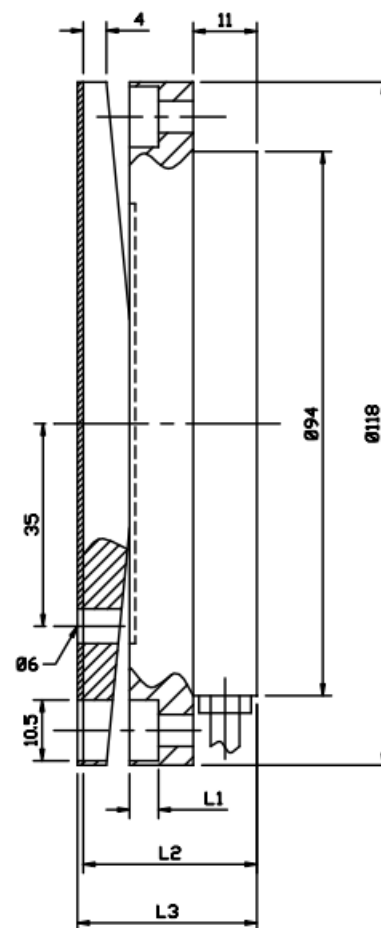
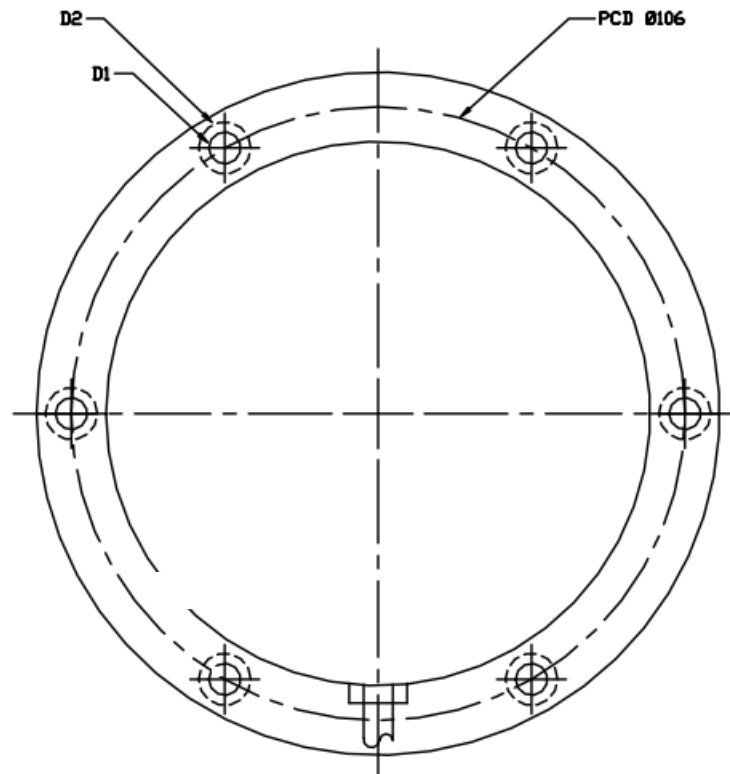
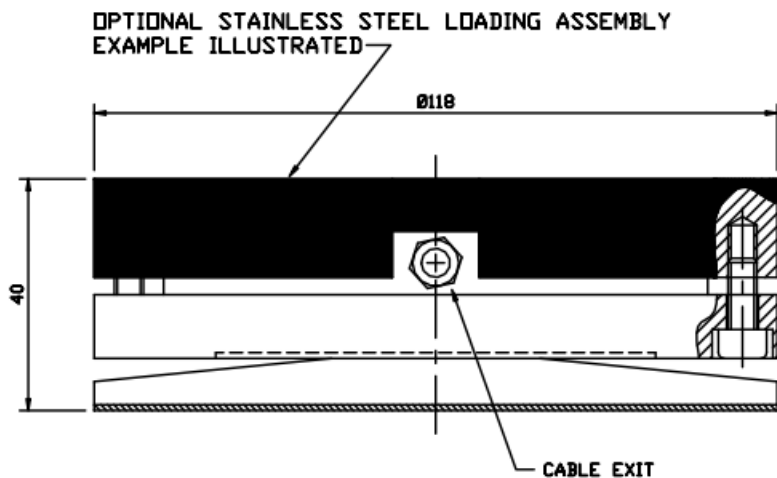


DO NOT SCALE



DRG. No. □L 03413



CAPACITIES AVAILABLE ~ 2, 5 & 10 te
 RATED OUTPUT ~ 1.7 mV/V
 2 & 5 te CAPACITIES D.I.M.L. APPROVED
 ENVIRONMENTAL PROTECTION ~ IP67

CABLE ~ 4 METRES OF 4 CORE SCREENED

COLOUR CODE:
 POSITIVE EXCITATION ~ RED
 NEGATIVE EXCITATION ~ BLACK
 POSITIVE SIGNAL ~ GREEN
 NEGATIVE SIGNAL ~ WHITE

RATED CAPACITY (kg)		L1	L2	L3	D1	D2
2000	5000	5	30	31	Ø5.5	Ø9
10,000		6	33	34	Ø6.6	Ø10.5

NOTES:
 COMPRESSION LOAD CELL
 INTEGRAL CUP & BALL ARRANGEMENT
 PLATED TOOL STEEL OR STAINLESS STEEL.

Hense Wägetechnik GmbH
 Oststraße 18
 59920 Brilon
 www.hense-waegetechnik.de

SCALE	UNITS	TOLERANCE	DRAWN	CHECKED	APP'D
NTS	MM	±0.2 ±1°	IJD		
TITLE			DRAWING No.		
LOW PROFILE LOAD CELL			□L 03413		

ISS.	DATE	DCN	NOTE
2	20-05-2008	577	LOADING ASSY IMP'D to 10 te DIMS ADJUST
1	15-10-2004		