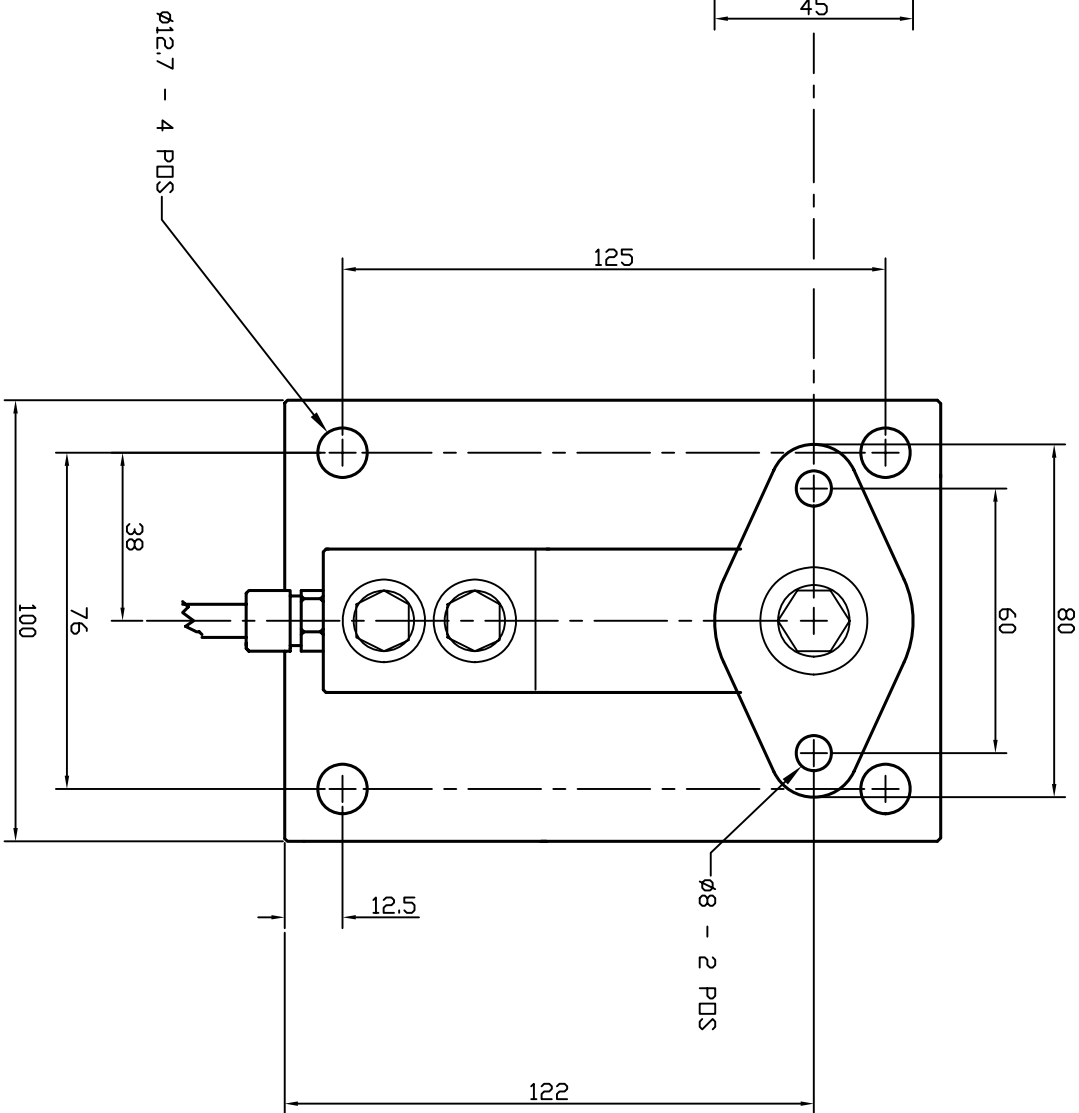
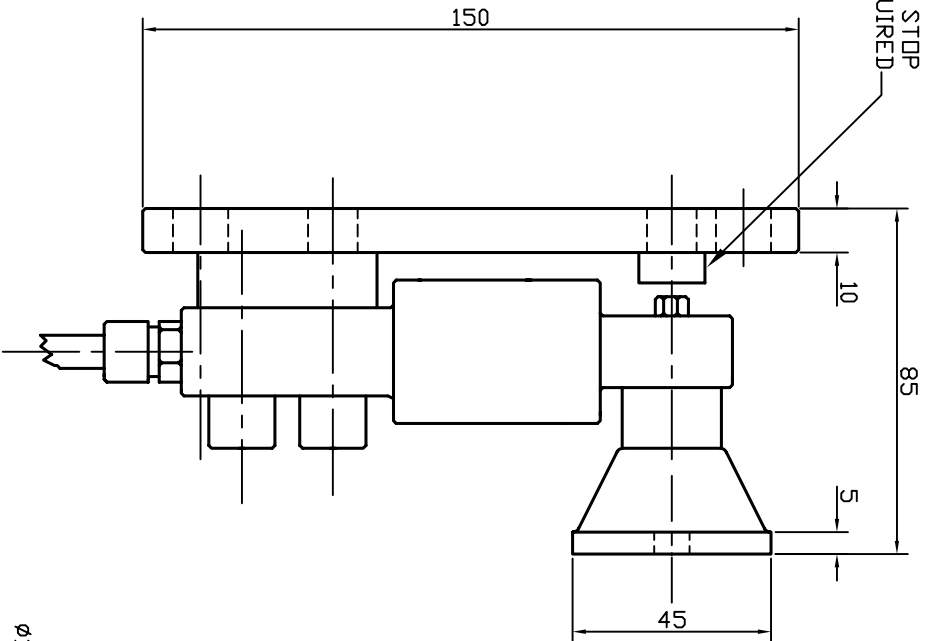


OVERLOAD STOP
FITTED IF REQUIRED



ISS.	DATE	DCN	NOTE
1	10-03-95		
2	18-04-2000		REDRAWN

Hense Wägetechnik GmbH
 Oststraße 18
 59929 Brilon
 www.hense-waegetechnik.de

SCALE	UNITS	TOLERANCE	DRAWN	CHECKED	APP'D
NTS	MM	±0.5 ±1°	JT		
TITLE CHALLENGER					
STAINLESS STEEL					
ASSEMBLY 20 KG					
DRAWING No. DL 01029					